

# Technical Specification - GreaseShield® 4000-F



**FS4000 PRE-FILTER  
FOR SOLID WASTE  
SEPARATION**



## GreaseShield®

The Grease Management Solution

### APPLICATIONS

- Pot Wash & Pre-Rinse Sinks
- All Dishwashers
- Floor drains & all other FOG contamination points

### FLOW RATES & CERTIFICATION

- Pro-Active Flow Rate - 4 L/sec
- ASME Certification
- PDI Certification
- CSA Certification
- EN 1825 Certification

### STANDARD FEATURES & FUNCTIONS

- Automatic FOG & solids removal
- Self cleaning
- Magnetic baffle for bioremediation
- PLC controlled
- Reverse flow configuration
- Grey water Recirculation
- Globally certified award winning technology

### Plumbing Connections

FilterShield™ Inlet	2"/54mm
Inlet	3"/76mm
Outlet	4"/110mm
Decant Outlet	3/4"/18mm
Hot Water Solenoid	3/4"/22mm

### Electrical Ratings

	USA	UK,EU,AU,NZ
Voltage	120v	230v
Frequency	60Hz	50Hz
Current	0.98A	0.49A

### Operational Times

Days of Operation 7 Days a Week

Hours of Operation 07:00-02:30

Note: Operational times can be adjusted to suit the needs of the kitchen

### Average Power Consumption

15.8W Per Hour

### CERTIFICATIONS & APPROVALS

- PDI G101 (Plumbing & Drainage Institute)
- ASME A112.14.3 & A112.14.4 (American Society of Mechanical Engineers)
- NSF International (National Sanitation Foundation)
- CSA (Canadian Standards Association) - Grease Interceptors
- UL (Underwriters Laboratory)
- IAPMO (International Association of Plumbing and Mechanical Officials) Uniform Plumbing Code Certification Mark
- UKCA (UK Conformity Assessed)
- CE - Conformity with Health, Safety and Environmental Protection \ Standards with the European Economic Area (EEA)
- EN1825 (European Standard for Grease Separators)
- KIWA (ETA DK, Swedac & SINTEF) - Sweden, Norway and Finland. European Institution for Testing, Inspection and Certification
- SHASE-S 217:2016 (Japanese Grease Management Standard for Grease Interceptors)



**Environmental  
Products and Services Ltd**

Award Winning Technology

V9 09/09/2024

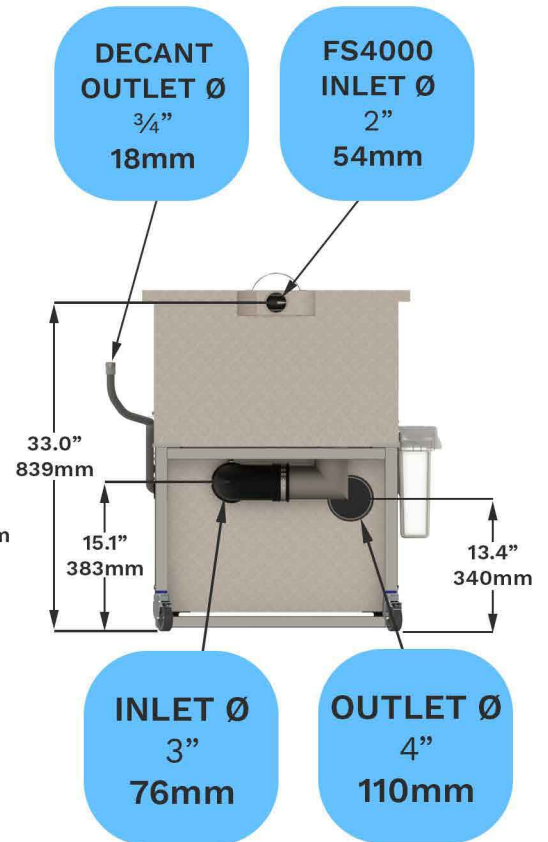
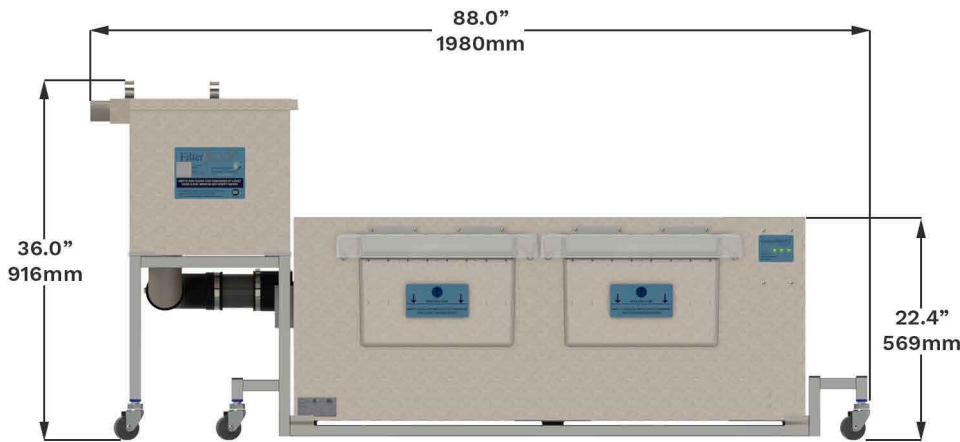
[www.GreaseShield.com](http://www.GreaseShield.com)

HEAD OFFICE +44 (0) 28 3083 3081

[sales@epas-ltd.com](mailto:sales@epas-ltd.com)

GB OFFICE +44 (0) 161 477 5555

# Technical Specification - GreaseShield® 4000-F



**Environmental  
Products and Services Ltd**

Award Winning Technology

[www.GreaseShield.com](http://www.GreaseShield.com)

HEAD OFFICE +44 (0) 28 3083 3081

[sales@epas-ltd.com](mailto:sales@epas-ltd.com)

GB OFFICE +44 (0) 161 477 5555

V9 09/09/2024