

FilterShield™

Food & Solid Waste Removal

Low Cost Solution for separation of Food Waste, Coffee Grinds and Starch



FS1500

APPLICATIONS



PREPARATION SINKS



COFFEE MACHINES



POTATO RUMBLERS



PRE-RINSE SINKS

ENVIRONMENTAL BENEFITS

- ✓ **Protects the Environment** - from pollution caused by food waste, coffee grinds, starch and non flushable items.
- ✓ **Eco-Friendly** - Zero energy cost.
- ✓ **Harvests a source of renewable energy** - sustainable contribution to zero carbon emissions.
- ✓ **Compliance with local water companies and landlords** - avoiding prosecution.

OPERATIONAL & COST SAVING BENEFITS

- ✓ No moving parts.
- ✓ No energy costs.
- ✓ No replacement filters.
- ✓ Eliminates recurring food waste blockages.
- ✓ Eliminates foul smells - Associated with sediment traps.
- ✓ Protects drain lines - Effective solution from non flushable items.
- ✓ Saves money - On plumber and call out charges.



**Environmental
Products and Services Ltd**

Award Winning Technology

www.epas-ltd.com

HEAD OFFICE +44 (0) 28 3083 3081

sales@epas-ltd.com

GB OFFICE +44 (0) 161 477 5555

FilterShield™

Food & Solid Waste Removal

Low Cost Solution for separation of Food Waste, Coffee Grinds and Starch

FS1500 - DAILY MAINTENANCE

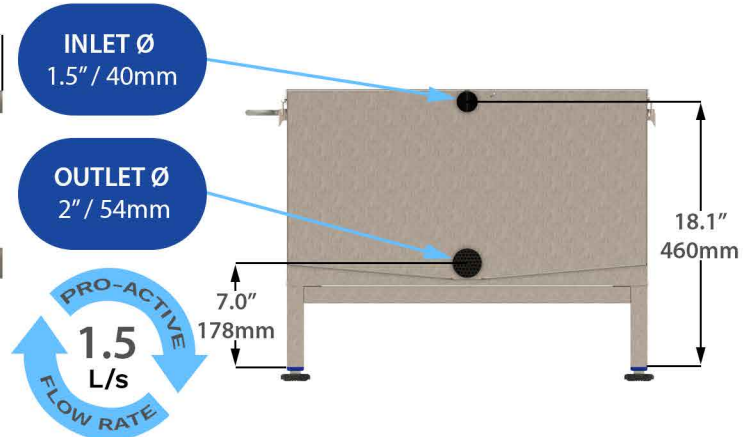
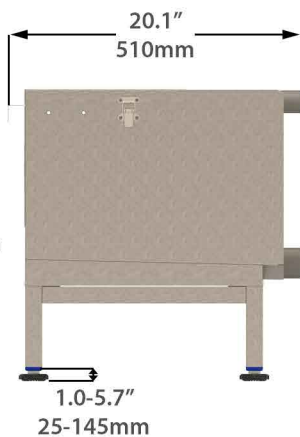
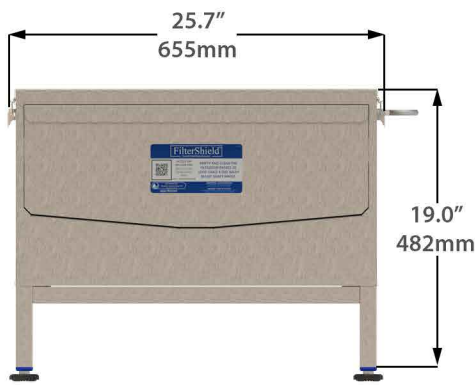
Make sure the FS1500 lid is securely in place and the drawer is closed - The lid should only be removed and the drawer opened, to clean and empty and the FS1500.



Empty and clean the FS1500 basket daily - Solids and food waste are collected in the interchangeable FS1500 basket.



Empty and clean the inside of the FS1500 at least once a week - Removing the solid and food waste that may be in the bottom.



FILTERSHIELD™ SERVICES

- ✓ Compliance Support & Selection Proposals.
- ✓ Site Survey.
- ✓ Installation.
- ✓ Replacement Parts.
- ✓ Nationwide Support.
- ✓ Service & Maintenance.
- ✓ Technical Support & Design.



EPAS LTD PROTECTS



Environmental Products and Services Ltd

Award Winning Technology

HEAD OFFICE +44 (0) 28 3083 3081
6, Shepherd's Way, Carnbane Industrial Estate,
Newry, County Down, N. Ireland, BT35 6EE

GB OFFICE +44 (0) 161 477 5555
Unit 6, Phoenix Court, Whitehill Industrial Estate, Hammond Avenue,
South Reddish, Stockport, Greater Manchester, SK4 1PQ