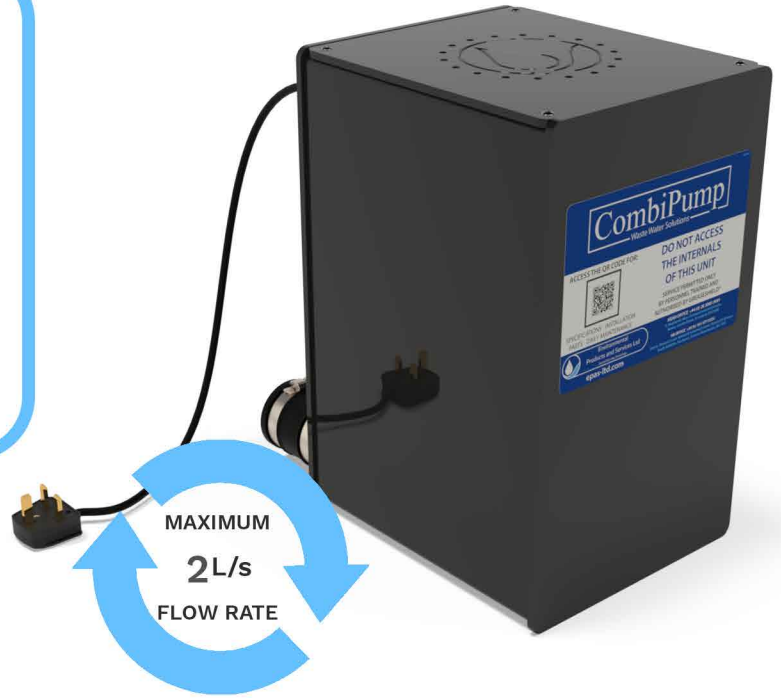


# Technical Specification - CombiPump



## CombiPump

Waste Water Solutions

### APPLICATIONS

- 6 to 20 Grid Convection Ovens
- Steam Combi Ovens
- Rotisserie Chicken Ovens

### FLOW RATES

- Maximum Flow Rate - 2 Litres/Second (Depending on Lift Height and Distance)
- Maximum Lift Height - 6.5 Metres

### STANDARD FEATURES & FUNCTIONS

- Automatic Float Switch Activation.
- Low-Level Inlet Position, makes it compatible with most types of Commercial Ovens.
- Compact Design.
- Provided with FlexiPlumb connection fittings to allow for misalignment of plumbing.
- Transfers contaminated Effluent directly to your GreaseShield®.

### Plumbing Connections

Inlets	2"/50mm
Outlet	1½"/40mm
Emergency Overflow	2"/50mm

### Electrical Ratings UK,EU,AU,NZ

Voltage	230v
Current	1.3A

### Standard Operational Times

Days of Operation	7 Days a Week
Hours of Operation	Fully Automatic

### Power Consumption

0.3 kW

### GREASESHIELD® CERTIFICATIONS & APPROVALS

- Global GreenTag LCA Rate Gold Certification
- ASME A112.14.3 & A112.14.4 (American Society of Mechanical Engineers)
- NSF International (National Sanitation Foundation)
- CSA (Canadian Standards Association) - Grease Interceptors
- UL (Underwriters Laboratory)
- IAPMO (International Association of Plumbing and Mechanical Officials) Uniform Plumbing Code Certification Mark
- UKCA (UK Conformity Assessed)
- CE - Conformity with Health, Safety and Environmental Protection \ Standards with the European Economic Area (EEA)
- EN1825 (European Standard for Grease Separators)
- KIWA (ETA DK, Swedac & SINTEF) - Sweden, Norway and Finland.
- European Institution for Testing, Inspection and Certification
- SHASE-S 217:2016 (Japanese Grease Management Standard for Grease Interceptors)



Environmental  
Products and Services Ltd

Award Winning Technology

V13 10/12/2024

[www.epas-ltd.com](http://www.epas-ltd.com)

HEAD OFFICE +44 (0) 28 3083 3081

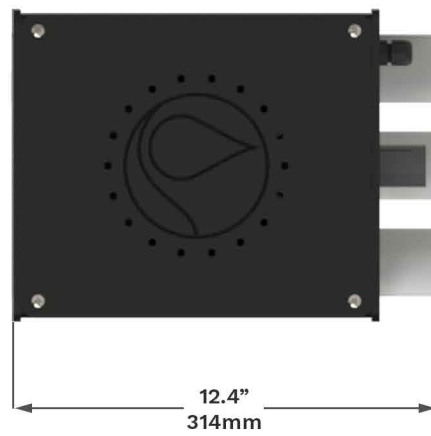
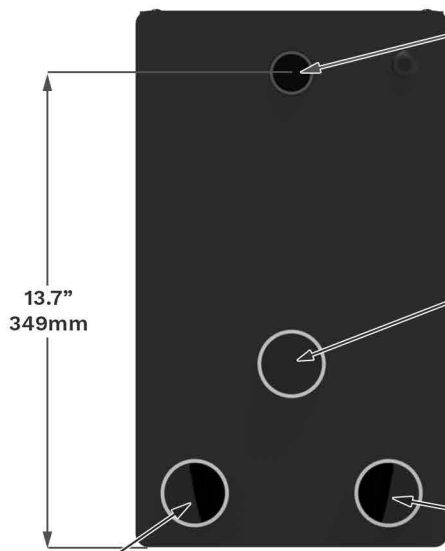
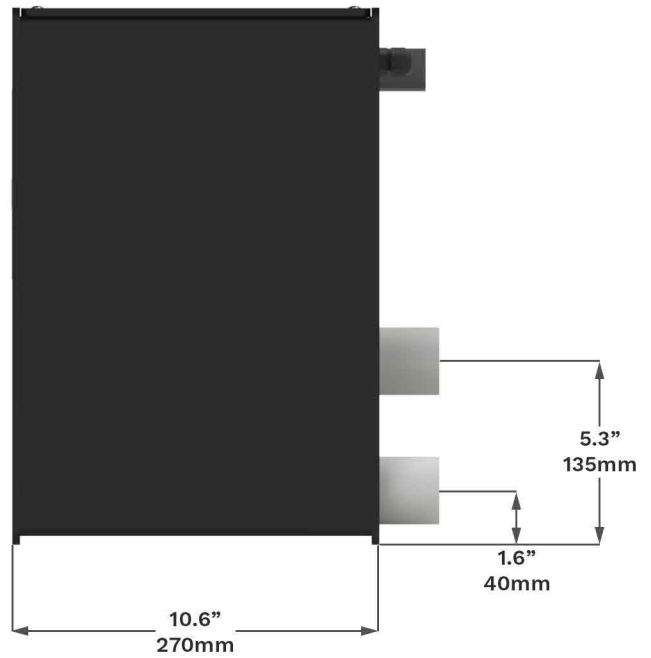
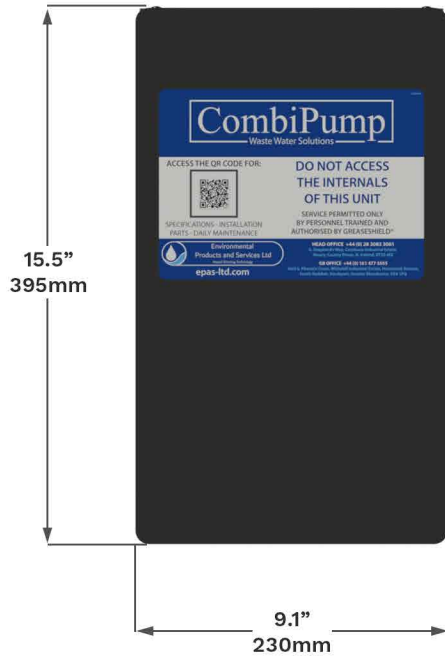
[sales@epas-ltd.com](mailto:sales@epas-ltd.com)

GB OFFICE +44 (0) 161 477 5555

# Technical Specification - CombiPump

## CombiPump

Waste Water Solutions



Environmental Products and Services Ltd

Award Winning Technology

V13 10/12/2024

[www.epas-ltd.com](http://www.epas-ltd.com)

HEAD OFFICE +44 (0) 28 3083 3081

[sales@epas-ltd.com](mailto:sales@epas-ltd.com)

GB OFFICE +44 (0) 161 477 5555