

Environmental Products & Services

How to carry out a site survey using Klik v1.0

Stephen Kennedy

Environmental
Products and Services Ltd



Award Winning Technology

How to carry out a survey

Site Surveys Using Klik

An action list has been created to help gather all relevant information to help with site surveys.

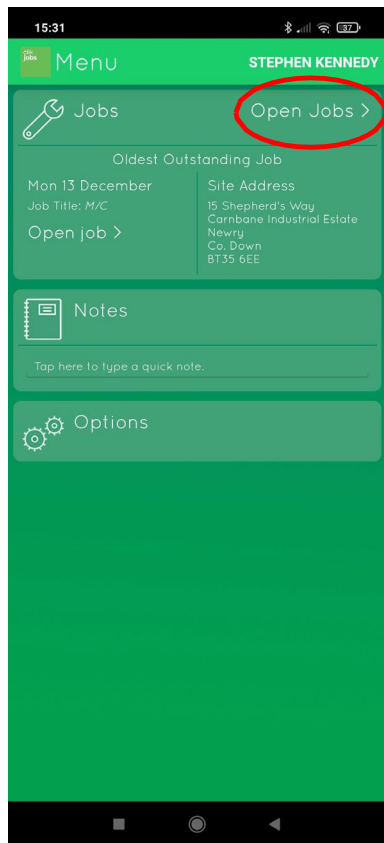
Please note that drop down lists have been provided to help speed up the process and prevent spelling errors within the report.

Although the drop-down boxes will cover most kitchen scenarios, there will be unique sites where the drop-down options wont suite the kitchen.

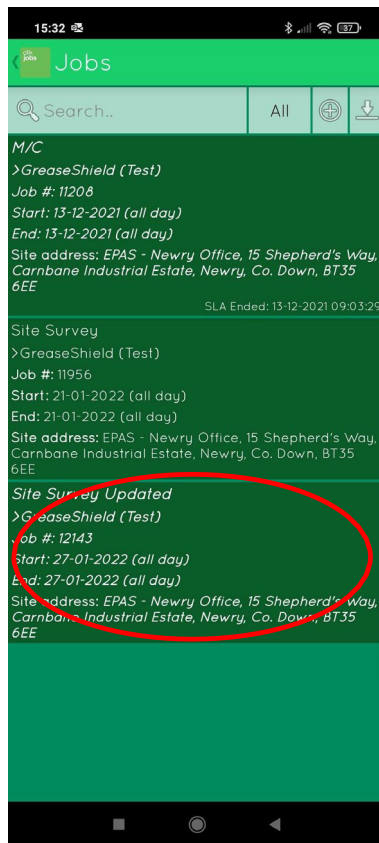
In these situation, simply press and hold on the desired section and you can write down the information you need to display in the report.



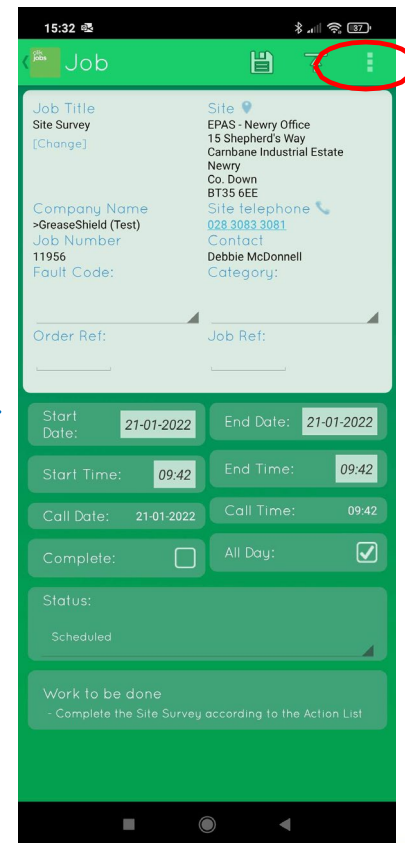
Step 1: Select open jobs



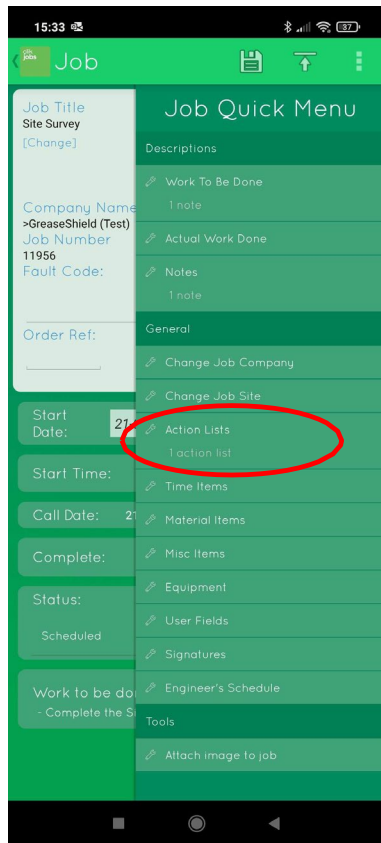
Step 2: Select Site Survey



Step 3: Select Menu



Step 4: Select action list



Step 5: Select Site Survey



Site Surveys Using Klik

These first 5 steps will take you to the action list.

The action list will take you through step by step and ask a series of questions.

Simply select the option that is applicable to the kitchen scenario.

If it asks a questions that is not applicable to this survey, select the **NA** option within the drop-down list.



First Questions

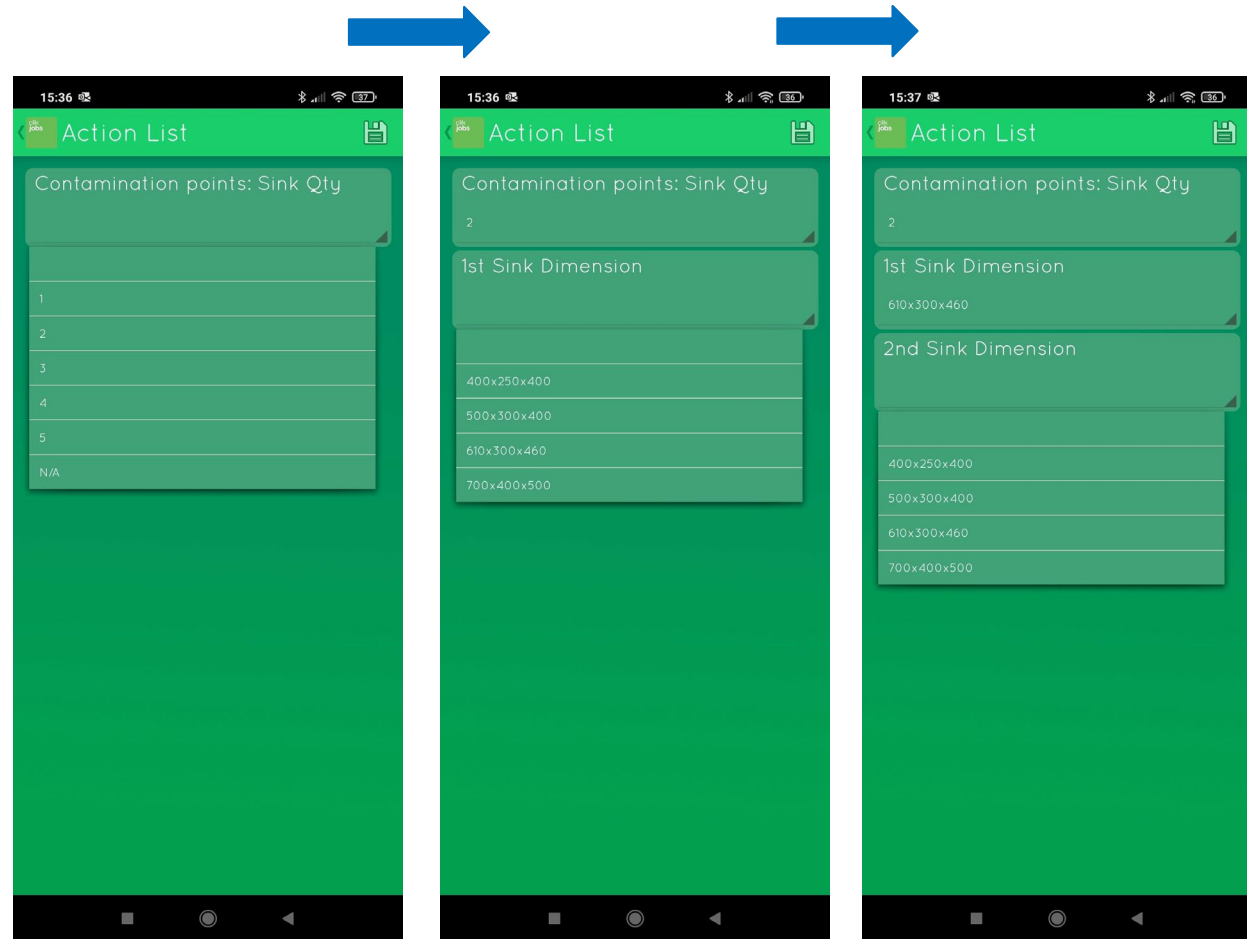
How many sinks are there within the kitchen?

Simply select the qty of sinks that need to be recorded.

Once you select the qty of sinks the next option will ask you for the sink dimensions for each of the sinks that you selected.

In this example we have selected 2 sinks, so we must record 2 separate sink dimensions.

If no suitable option is available from the drop-down menu, press and hold on the tab to input dimensions manually.



Photos

After every section, the action list will prompt and remind you to take photos.

Always remember to gather as much information as possible when taking photos, so always stand well back in order to capture as much information as possible.

The more information collected at the site survey will give the person reading the report a better understanding of what is required.

15:39

Action List

Contamination points: Sink Qty
2

1st Sink Dimension
610x300x460

2nd Sink Dimension
610x300x460

Photo taken of all sinks?

Yes

No

N/A



Ovens

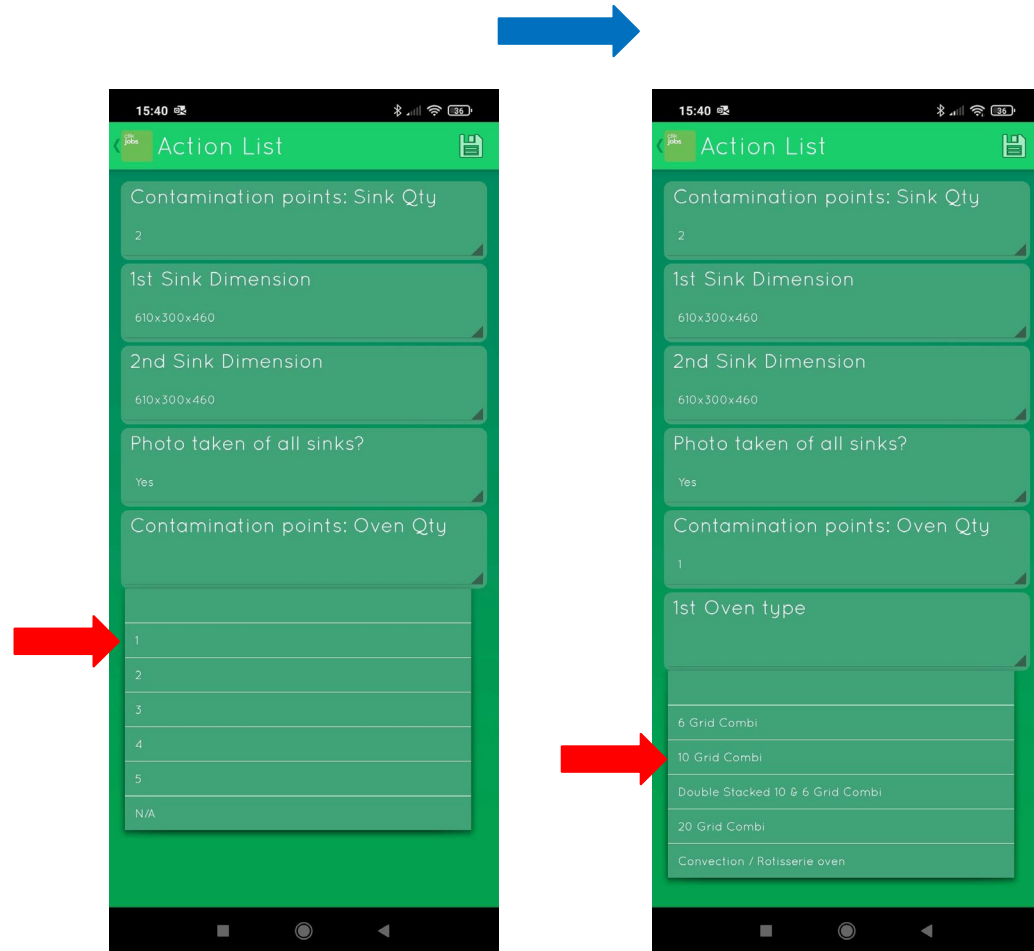
How many ovens are there within the kitchen?

Simply select the qty of ovens that need to be recorded.

Once you select the qty of ovens the next option will ask you for the type of oven depending on the qty that you have selected.

In this example we have selected 1 oven. If there are no ovens, select the N/A option to move on to the next section.

If no suitable option is available from the drop-down bar, press and hold on the tab to input information manually.



Photos

After every section, the action list will prompt and remind you to take photos.

Always remember to gather as much information as possible when taking photos, so always stand well back in order to capture as much information as possible.

The more information collected at the site survey will give the person reading the report a better understanding of what is required.

15:41

Action List

Contamination points: Sink Qty
2

1st Sink Dimension
610x300x460

2nd Sink Dimension
610x300x460

Photo taken of all sinks?
Yes

Contamination points: Oven Qty
1

1st Oven type
10 Grid Combi

Photo taken of all Ovens?
Yes
No
N/A



Dishwashers

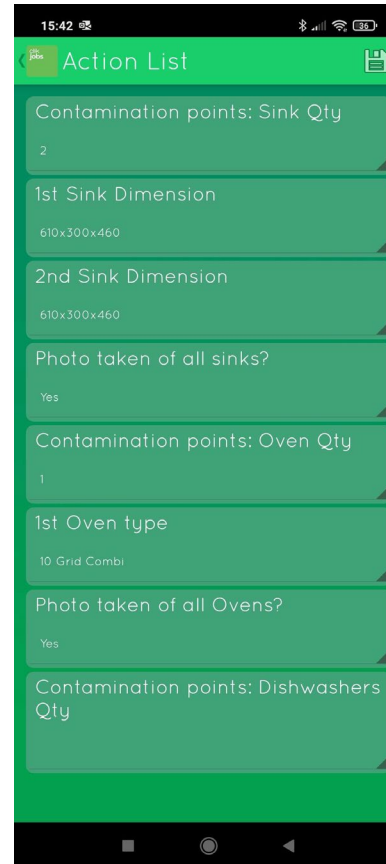
How many dishwashers are there within the kitchen?

Simply select the qty of dishwashers that need to be recorded.

Once you select the qty of dishwashers the next option will ask you for the type of dishwashers depending on the qty that you have selected.

In this example we have selected 1 dishwashers. If there are no dishwashers, select the N/A option to move on to the next section.

If no suitable option is available from the drop-down bar, press and hold on the tab to input information manually.



15:42

Action List

Contamination points: Sink Qty
2

1st Sink Dimension
610x300x460

2nd Sink Dimension
610x300x460

Photo taken of all sinks?
Yes

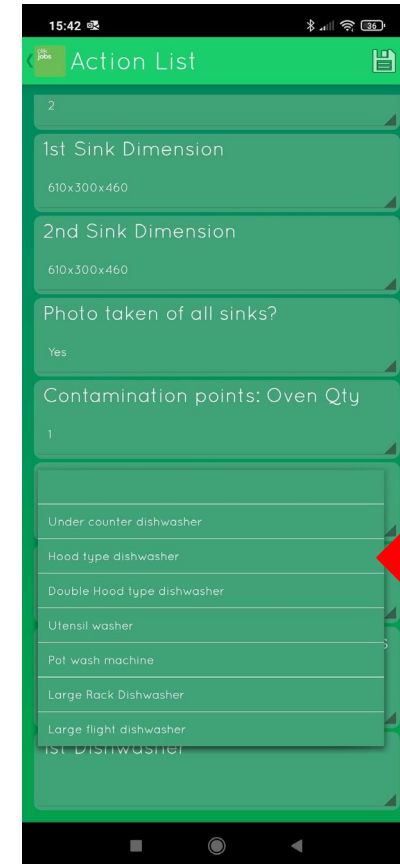
Contamination points: Oven Qty
1

1st Oven type
10 Grid Combi

Photo taken of all Ovens?
Yes

Contamination points: Dishwashers Qty

Red arrow pointing to the bottom of the screen.



15:42

Action List

2

1st Sink Dimension
610x300x460

2nd Sink Dimension
610x300x460

Photo taken of all sinks?
Yes

Contamination points: Oven Qty
1

Under counter dishwasher

Hood type dishwasher

Double Hood type dishwasher

Utensil washer

Pot wash machine

Large Rack Dishwasher

Large flight dishwasher

1st Dishwasher

Red arrow pointing to the dropdown menu.



Photos

After every section, the action list will prompt and remind you to take photos.

Always remember to gather as much information as possible when taking photos, so always stand well back in order to capture as much information as possible.

The more information collected at the site survey will give the person reading the report a better understanding of what is required.

15:43

Action List

- 610x300x460
- 2nd Sink Dimension
610x300x460
- Photo taken of all sinks?
Yes
- Contamination points: Oven Qty
1
- 1st Oven type
10 Grid Combi
- Photo taken of all Ovens?
Yes
- Contamination points: Dishwashers Qty
1
- 1st Dishwasher
Hood type dishwasher
- Photo taken of all Dishwashers?



Wok Cookers

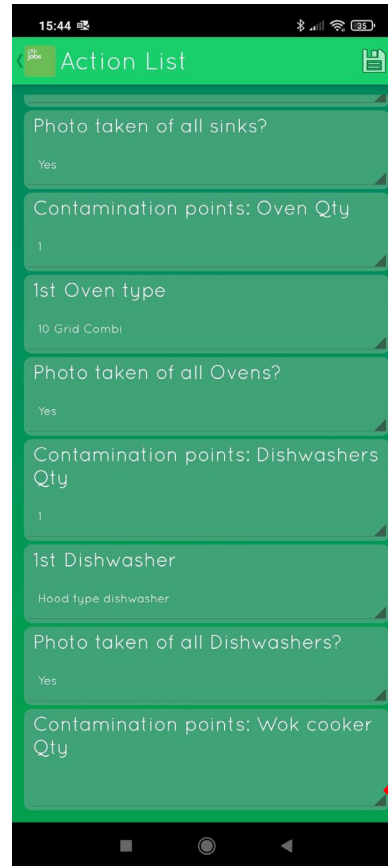
How many Wok cookers are there within the kitchen?

Simply select the qty of Wok cookers that need to be recorded.

Once you select the qty of Wok cookers the next option will ask you for the type of Wok cookers depending on the qty that you have selected.

In this example we have selected 1 Wok cookers . If there are no Wok cookers , select the N/A option to move on to the next section.

If no suitable option is available from the drop-down bar, press and hold on the tab to input information manually.



15:44

Action List

Photo taken of all sinks?
Yes

Contamination points: Oven Qty
1

1st Oven type
10 Grid Combi

Photo taken of all Ovens?
Yes

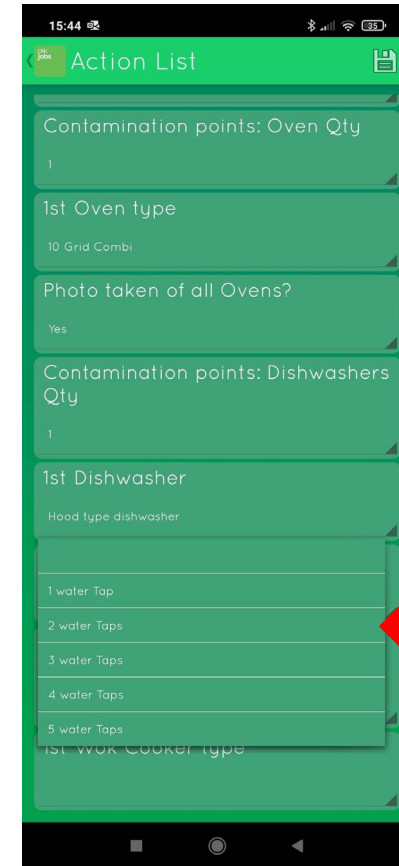
Contamination points: Dishwashers Qty
1

1st Dishwasher
Hood type dishwasher

Photo taken of all Dishwashers?
Yes

Contamination points: Wok cooker Qty

Red arrow pointing to the bottom right corner of the 'Contamination points: Wok cooker Qty' field.



15:44

Action List

Contamination points: Oven Qty
1

1st Oven type
10 Grid Combi

Photo taken of all Ovens?
Yes

Contamination points: Dishwashers Qty
1

1st Dishwasher
Hood type dishwasher

1 water Tap

2 water Taps

3 water Taps

4 water Taps

5 water Taps

1st wok cooker type

Red arrow pointing to the '1 water Tap' option.



Photos

After every section, the action list will prompt and remind you to take photos.

Always remember to gather as much information as possible when taking photos, so always stand well back in order to capture as much information as possible.

The more information collected at the site survey will give the person reading the report a better understanding of what is required.

15:45

Action List

1st Oven type
10 Grid Combi

Photo taken of all Ovens?
Yes

Contamination points: Dishwashers
Qty
1

1st Dishwasher
Hood type dishwasher

Photo taken of all Dishwashers?
Yes

Contamination points: Wok cooker
Qty
1

1st Wok Cooker type
2 water Taps

Photo taken of all Wok cookers?



Washing machine

How many Wok cookers are there within the kitchen?

Simply select the qty of washing machines that need to be recorded.

In this example we have selected 1 washing machines. If there are no washing machines, select the N/A option to move on to the next section.

If no suitable option is available from the drop-down bar, press and hold on the tab to input information manually.

Take a photo of the washing machine and the area it is located.

15:45

Action List

Photo taken of all Ovens?
Yes

Contamination points: Dishwashers Qty
1

1st Dishwasher
Hood type dishwasher

Photo taken of all Dishwashers?
Yes

Contamination points: Wok cooker Qty
1

1st Wok Cooker type
2 water Taps

Photo taken of all Wok cookers?
Yes

Contamination points: Washing machine Qty



Mop Sink

How many mop sinks are there within the kitchen?

Simply select the qty of mop sinks that need to be recorded.

In this example we have selected 1 mop sinks. If there are no mop sinks, select the N/A option to move on to the next section.

If no suitable option is available from the drop-down bar, press and hold on the tab to input information manually.

Take a photo of the mop sinks and the area it is located.

15:47

Action List

Hood type dishwasher

Photo taken of all Dishwashers?

Yes

Contamination points: Wok cooker Qty

1

1st Wok Cooker type

2 water Taps

Photo taken of all Wok cookers?

Yes

Contamination points: Washing machine Qty

N/A

Photo taken of all Washing machine?

Yes

Contamination points: Mop Sinks Qty



Potato Peeler / Rumbler

How many potato peelers are there within the kitchen?

Simply select the qty of potato peelers that need to be recorded.

In this example we have selected 1 potato peelers. If there are potato peelers, select the N/A option to move on to the next section.

If no suitable option is available from the drop-down bar, press and hold on the tab to input information manually.

Take a photo of the potato peelers and the area it is located.

15:49

Action List

Yes

Contamination points: Washing machine Qty

N/A

Photo taken of all Washing machine?

Yes

Contamination points: Mop Sinks Qty

1

Photo taken of all Mop Sinks?

Yes

Contamination points: Potato peeler / rumpblers Qty

1

Photo taken of all potato peelers/ rumpblers?

Yes

Drainage point location



Drainage Point

Select the drainage point location and select from the drop-down options.

This is important information as it will allow the installer to have the correct materials to complete the installation whilst onsite.

It will also help identify if the drain point is a sufficient diameter to be connected to the recommended equipment.



Photo taken of all Mop Sinks?
Yes

Contamination points: Potato peeler / rumblers Qty
1

Photo taken of all potato peelers/ rumblers?
Yes

Drainage point location

Photo taken of all potato peelers/
rumblers Qty

32mm (1" 1/4)

40mm (1" 1/2)

54mm (2")

105mm (4")

Drainage pipe dimensions



Drainage Point

Select the drainage distance option and select the most suitable option from the from the drop-down menu.

This information will determine the fall that can be achieved from the GreaseShield® to the drain point.

Or if additional work is required to lower the pipe or even if a pump is required.

Always take photos of the area showing the distance the pipe work must travel.

15:51

jobs Action List

1

Photo taken of all Mop Sinks?

Yes

Contamination points: Potato peeler / rumblers Qty

1

Photo taken of all potato peelers/ rumblers?

Yes

Drainage point location

Drainage at floor level

Drainage pipe dimensions

105mm (4")

Photo taken of drainage point location?

Yes

Distance to drain point from proposed location of equipment

15:51

jobs Action List

1

Photo taken of all Mop Sinks?

Yes

Contamination points: Potato peeler / rumblers Qty

1

Photo taken of all potato peelers/ rumblers?

Yes

Drainage point location

Drainage at floor level

Less than 1meter away

Up to 2 meters away

Up to 3 meters away

Up to 4 meters away

Up to 5 meters away

Over 5 meters away proposed location of equipment



Hot Water

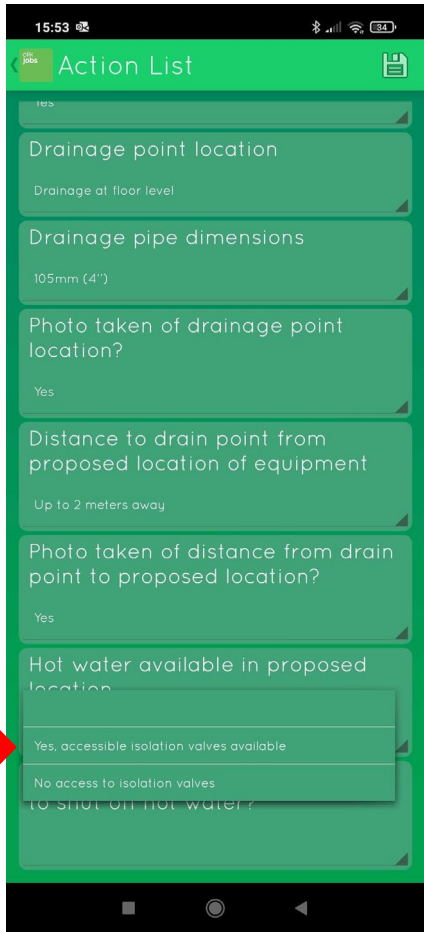
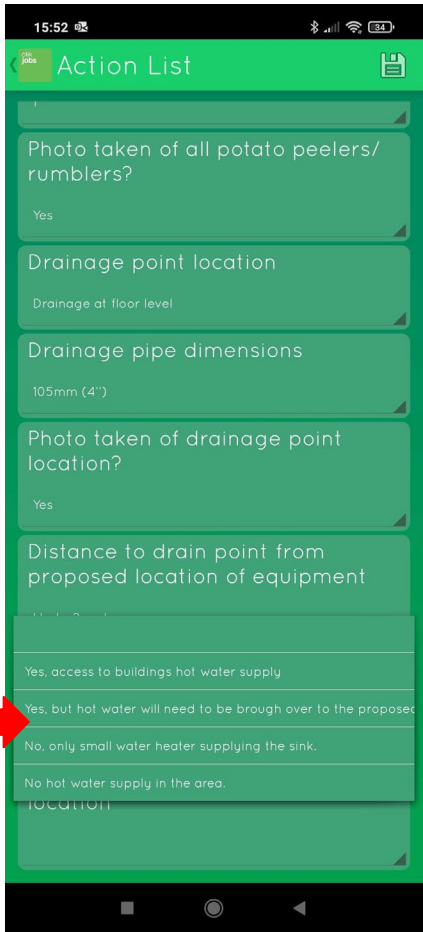
Select the hot water option and select the most suitable option from the from the drop-down menu.

This information will determine if we can access the kitchens hot water supply or if a Genie H2O is required.

Or if water needs to be taken over to the location.

Always take photos of the area showing the best place to connect on to a hot water supply.

You can also select an option to advise if there is any isolation valves available to shut the hot water supply off.



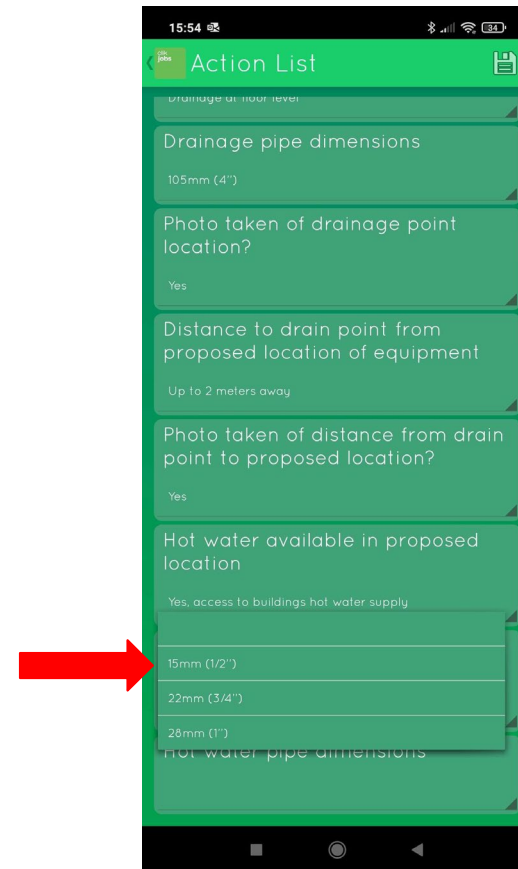
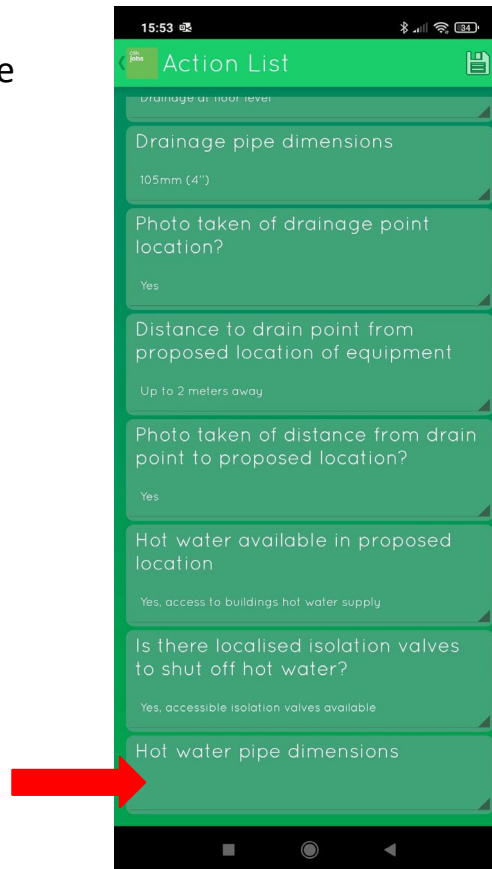
Hot water pipe diameter

Select the hot water option and select the most suitable option from the from the drop-down menu.

This information will determine if additional plumbing fittings are required to make the connection to the hot water supply.

This information will prevent call backs and ensure that the service technicians arrive on site with the required parts to complete the installation.

Always take photos of the area showing the proposed location to make the hot water connection.



Power supply

Select the power supply option and select the most suitable option from the from the drop-down menu.

This information will determine if there is a suitable power supply available or if additional work is required for and electrician to install a below counter IP56 rated socket.

This information will prevent call backs and ensure that the equipment can be installed and commissioned on at the time of installation.

Always take photos of the area showing the available power or the nearest source where it can be taken from.

The image displays two sequential screenshots of a mobile application interface titled "Action List".

Left Screenshot (15:54): Shows a checklist with the following items:

- Yes
- Distance to drain point from proposed location of equipment
Up to 2 meters away
- Photo taken of distance from drain point to proposed location?
Yes
- Hot water available in proposed location
Yes, access to buildings hot water supply
- Is there localised isolation valves to shut off hot water?
Yes, accessible isolation valves available
- Hot water pipe dimensions
15mm (1/2")
- Photo taken of proposed location?
Yes
- Power supply

A red arrow points to the "Power supply" field.

Right Screenshot (15:55): Shows the same checklist, but the "Power supply" field is expanded to show a dropdown menu with the following options:

- No power in the proposed area
- Only above counter power supply currently available
- IP56 or higher rated below counter socket available
- IP56 or higher socket required

A red arrow points from the "Power supply" field in the first screenshot to the dropdown menu in the second screenshot.



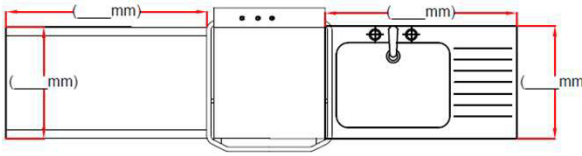
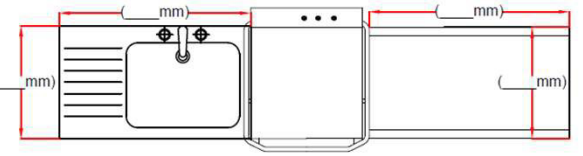
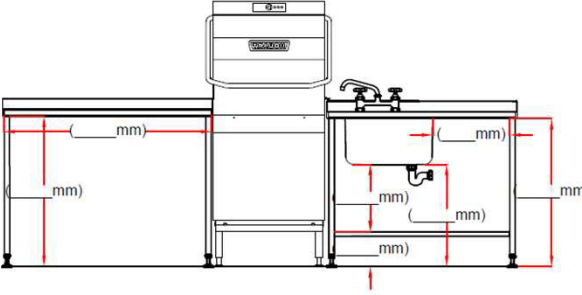
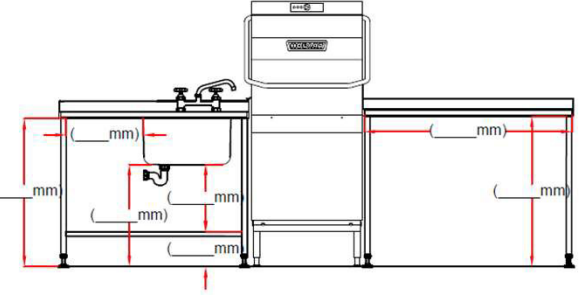
Site Survey template

The site survey templates have been designed to help record available space within the kitchen.

There are various options to choose from to cover most kitchen scenarios, but if there are unique situations that the templates won't cover, simply provide a sketch on paper and record all measurements of the kitchen equipment.

This information will ensure that the required equipment can be installed in the proposed locations and not hinder daily maintenance and servicing.

Always take a photo of the template or sketch and upload it to the report when prompted to do so.

Bowl Dimensions: Length: (mm) Width: (mm) Depth: (mm) Qty: (mm)	Drainage Ground Level Drain: (Yes / No) Outlet Pipe: (40mm / 54mm / 105mm) Pipe going Thru wall: (Yes / No) Height of pipe thru wall: (mm)	Water Hot water (Yes / No) Isolation Valves (Yes / No) Pipe Size: (15mm / 22mm)	Power Suitable Power Supply (Yes / No) IP56 socket required? (Yes / No)
			
			

[Link to Site Survey Templates](#)

Environmental
Products and Services Ltd



Award Winning Technology

Parking

The action list will prompt you to provide information on parking.

This information is important to plan the installation and getting the equipment into the kitchen.

If there are height restriction for car parks or no on street parking available than we may need to send more than one service engineer to assist with the installation.

Please provide as much information as possible as this will help with the planning of the installation.

If there is additional information you need to add, press and hold to type information manually.

15:57

Action List

location
Yes, access to buildings hot water supply

Is there localised isolation valves to shut off hot water?
Yes, accessible isolation valves available

Hot water pipe dimensions
15mm (1/2")

Photo taken of proposed location?
Yes

Power supply
IP56 or higher socket required

Photo taken of power supply?
Yes

Has the site survey template been completed to gather information on available space?
Yes, photo attached to the report

Parking

15:58

Action List

location
Yes, access to buildings hot water supply

Is there localised isolation valves to shut off hot water?
Yes, accessible isolation valves available

Hot water pipe dimensions
15mm (1/2")

Photo taken of proposed location?
Yes

Power supply
IP56 or higher socket required

Photo taken of power supply?
Yes

Limited on street pay to park only

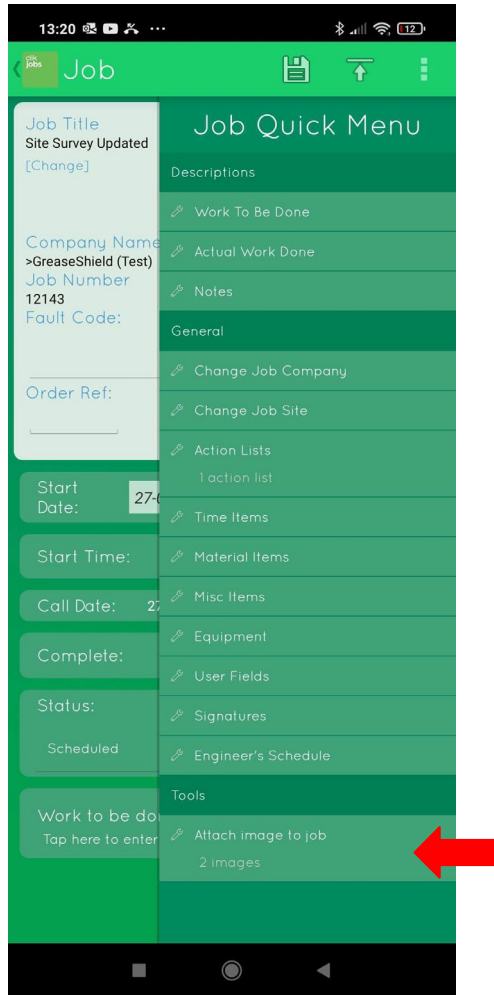
Site has its own car park or loading area at rear

Multi story parking available with high restrictions of less than

Ample free parking

PARKING





Adding and taking photos

When taking or adding photos, select the Icon at the top right-hand side of the app.



Then select attached image in the tools section at the bottom





You have two options available, take a photo or add a photo from your phone's gallery.



Select the camera icon to take a new photograph.



Select the + button to add a photo from your gallery

Both options will allow you to add a comment with the image before you upload.

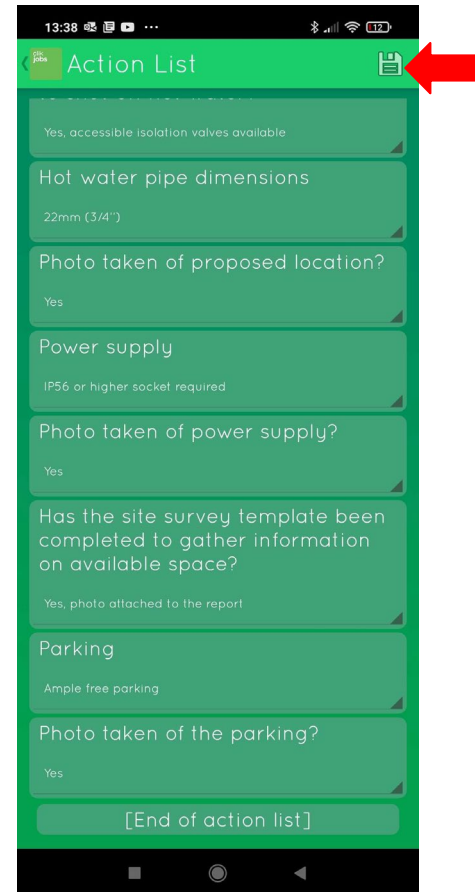


Action List Complete

Once you have completed the end of the action list, you must hit the save icon at the top right-hand side of the screen.

If for any reason you need to leave the action list, to take a photograph or for any reason, you must always hit the save button first or else you will lose your progress and will have to start over again.

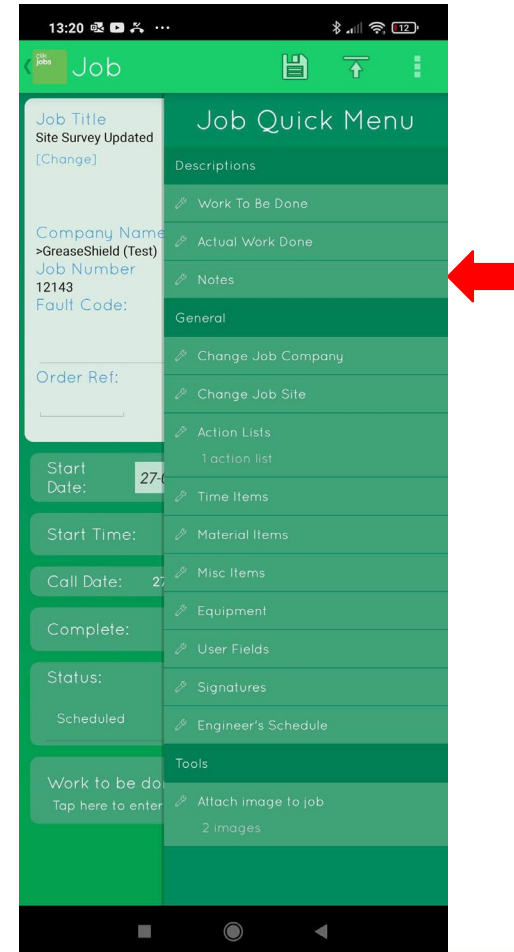
Please note that you can go back at anytime to make changes to your report before finally uploading it.



Additional information

From the quick job menu, you can add more information that you feel is necessary and that the action report did not cover.

Simply select notes and write down any other important information you feel is necessary.



Uploading the Report

Once you have completed the action list, taken all necessary photographs and added any additional information, you can upload the report for review.

Remember, prior to uploading, you can return and make changes to the action list, but once it has been uploaded, it is too late, and a new report must be completed.

To upload the report, press and hold the upload icon located at the top right area of the app.

Upload Icon

