

Our Drainage Protection Products

"Do what They Say on the Tin"

- ✓ Functionality
- ✓ Energy Efficiency Combining Lower Energy Costs and a Reduced Carbon Footprint
- ✓ Sustainability in Design and Product Life Cycle
- ✓ Modular Design to Facilitate Integration into any Commercial Kitchen and to Allow for Relocation as Circumstances Change

We undertake to work closely with you and your clients to meet and exceed your expectations and operational requirements



Easy Cleaning
– Totally Retractable
304 Stainless Steel Units

- ← 600, 700 and 800 Ranges
- ← Range of Taps and Sink Filters

- Solids Interceptor →
- No Energy Costs →
- No Moving Parts →
- No Problems →

Award Winning GreaseShield

- ← Fully Automatic and Self Cleaning
- ← No Heating Element
- ← No Chemicals or Enzymes

Pre Plumbed and Pre Wired

- Sensor Tap →
- Minimise Water Usage – Save Money →
- Eliminate Cross Contamination →
- Hygienic Solutions →



Colour coded prep table tops

- Raw meat and poultry
- Raw fish and seafood
- Raw unwashed vegetables
- Dairy and bakery products
- Cooked meat
- Salad and fruit

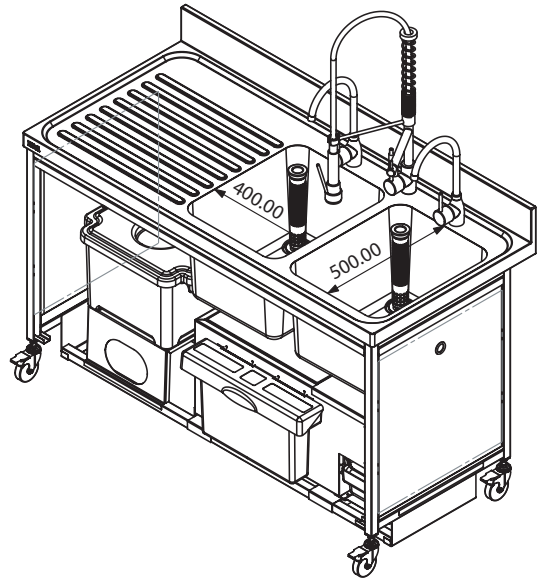
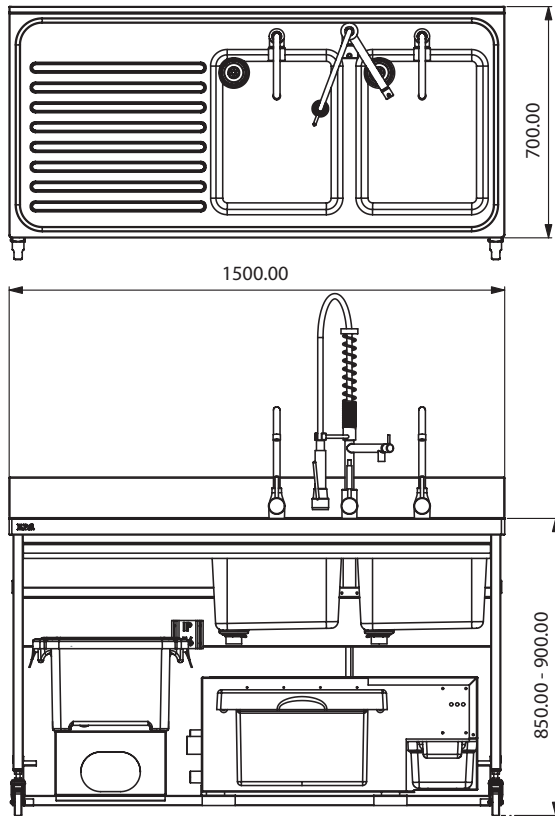
Innovative and affordable preparation tables and sinks

Talk to us about trading in your existing sink.

- ✓ Eliminate fabrication costs
- ✓ Eliminate plumbing costs
- ✓ Eliminate electrical costs
- ✓ Minimise disruption and hassle during installation.

5 Shepherd's Drive
Carnbane Industrial Estate
Newry, Co. Down
N. Ireland, BT35 6JQ
Tel: +44 (0) 28 3083 3081
Fax: +44 (0) 28 3025 7556
From ROI
Tel: (048) 3083 3081
Fax: (048) 3025 7556
Web: www.EPAS-Ltd.com

Specifications and Dimensions



“Incorporating the Award Winning GreaseShield and FilterShield”

UNIT SIZE Depth x Length	BOWL DIMENSIONS	Drainers	GreaseShield	FilterShield	Sink Filters	IP56 Sockets	Taps	Locking Castors	304 SS	Sampling Points
600 x 1000	1 x 400 x 400 x 300	x 1	✓	✓	✓	✓	✓	✓	✓	✓
600 x 1200	1 x 400 x 400 x 300	x 1	✓	✓	✓	✓	✓	✓	✓	✓
600 x 1400	1 x 500 x 400 x 300	x 1	✓	✓	✓	✓	✓	✓	✓	✓
600 x 1500	2 x 400 x 400 x 300	x 1	✓	✓	✓	✓	✓	✓	✓	✓
600 x 1600	2 x 500 x 400 x 300	x 1	✓	✓	✓	✓	✓	✓	✓	✓
600 x 1600	2 x 400 x 400 x 300	x 1	✓	✓	✓	✓	✓	✓	✓	✓
600 x 1800	2 x 500 x 400 x 300	x 1	✓	✓	✓	✓	✓	✓	✓	✓
600 x 1900	2 x 500 x 400 x 300	x 1	✓	✓	✓	✓	✓	✓	✓	✓
600 x 2400	2 x 600 x 400 x 300	x 2	✓	✓	✓	✓	✓	✓	✓	✓
700 x 1000	1 x 500 x 500 x 300	x 1	✓	✓	✓	✓	✓	✓	✓	✓
700 x 1200	1 x 500 x 500 x 300	x 1	✓	✓	✓	✓	✓	✓	✓	✓
700 x 1400	1 x 500 x 500 x 300	x 1	✓	✓	✓	✓	✓	✓	✓	✓
700 x 1400	1 x 600 x 500 x 300	x 1	✓	✓	✓	✓	✓	✓	✓	✓
700 x 1500	2 x 400 x 500 x 300	x 1	✓	✓	✓	✓	✓	✓	✓	✓
700 x 1600	2 x 500 x 500 x 300	x 1	✓	✓	✓	✓	✓	✓	✓	✓
700 x 1600	2 x 400 x 500 x 300	x 1	✓	✓	✓	✓	✓	✓	✓	✓
700 x 1800	2 x 500 x 500 x 300	x 1	✓	✓	✓	✓	✓	✓	✓	✓
700 x 1900	2 x 500 x 500 x 300	x 1	✓	✓	✓	✓	✓	✓	✓	✓
700 x 1900	2 x 600 x 500 x 300	x 1	✓	✓	✓	✓	✓	✓	✓	✓
700 x 2000	2 x 500 x 500 x 300	x 1	✓	✓	✓	✓	✓	✓	✓	✓
700 x 2100	2 x 600 x 500 x 300	x 1	✓	✓	✓	✓	✓	✓	✓	✓
700 x 2400	2 x 600 x 500 x 300	x 2	✓	✓	✓	✓	✓	✓	✓	✓
800 x 2400	2 x 700 x 700 x 300	x 1	✓	✓	✓	✓	✓	✓	✓	✓

**OPTIONAL EXTRAS - Vanity Side Panels, Lift Off Doors and Hinged Doors
Dishwasher Entry and Exit Tables custom built to your requirements**